



Client \_\_\_\_\_ Quantity \_\_\_\_\_  
 Project \_\_\_\_\_ Position \_\_\_\_\_

## ROC 1100

Model: R110/100FTG/SLR/A

Cod: MP01375115011

### Technical data

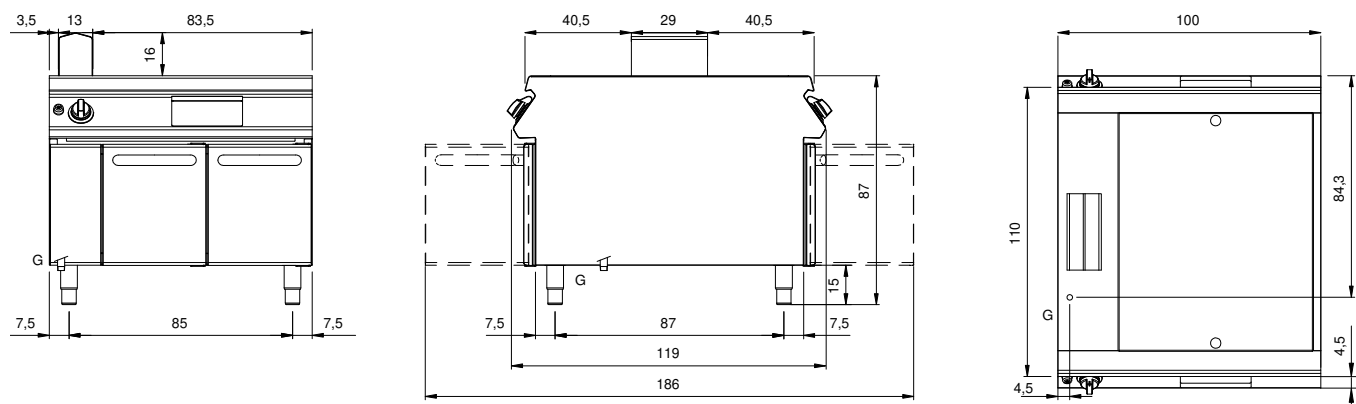
Modularity:	On open cabinet
Dimension (mm):	1000x1100x870
Total gas power (Kcal/h):	18057
Total gas power (kW):	21
Cooking zone dimensions 1 (LxD mm):	734x900
Gas connection:	1/2"
Net volume (m3):	0,957
Packing dimensions (mm):	1280x1272x1274
Gross weight (kg):	212
Gross volume (m3):	2,074

### Features

Working top:	Made of AISI 304 stainless steel with a thickness of 2 mm
Material of plate:	Satin chrome
Knobs:	Made of aluminum with IPX5 water protection
Flue:	Made of AISI 304 stainless steel
Liquid collection container:	Estraibile e lavabile in lavastoviglie
Plate:	Satin chrome plate
Upright Splash guard:	On two sides (optional)
Kit Gas:	Natural gas conversion kit 30/50 m/bar (tested with natural gas G20)

Gas griddle with 2/3 Smooth 1/3 grooved satin chrome plate, model on open cabinet. Side panels, bottom and back made of stainless steel. Top made of AISI 304 thickness 20/10. Lateral flue made of stainless steel. Designed for flush alignment. Recessed (4 cm) hotplate fully welded and sealed to the top. Hard chrome plated hotplate with mirror polished surface with cold zone at the front. Round hole and extractable drawer for grease drain and collection. Two independent cooking zones. Heating by means of steel burner with stabilized flame complete with pilot flame and safety thermocouple. Gas supply by means of thermostatic valve. Temperature control by thermostat. Automatic ignition by means of piezoelectric device with waterproof cap. Special design knobs to avoid water penetration in the control panel on both sides. Base completely made of stainless steel. Doors with stainless steel tubular handle. Adjustable feet made of stainless steel. IPX4 protection rating. Gas total power 21 kW.

**Technical draw**



G: Gas connection 1/2"