



Client  
Quantity  
Project  
Position

## ROC 1100

Model:  
R110/100FTE/SLR/A  
Cod:  
MP01375125023

### Technical data

Modularity:  
On open cabinet  
Dimension (mm):  
1000x1100x870  
Total electric power (kW):  
15  
Cooking zone dimensions 1 (LxD mm):  
734x900  
Electric power (V):  
380-415  
Ampere (A):  
11,5  
Phases:  
3N  
Cable section (mmq):  
5G1,5  
Frequency (Hz):  
50-60  
Net volume (m3):  
0,957  
Packing dimensions (mm):  
1280x1272x1274  
Gross volume (m3):  
2,074

### Features

Working top:  
Rrealizzato in acciaio inox AISI 304 spessore 2 mm  
Material of plate:  
Cromo satinato  
Knobs:  
Made of aluminum with IPX5 water protection  
Flue:  
Made of AISI 304 stainless steel  
Heating:  
Armoured heating elements  
Liquid collection container:  
Removable and dishwasher safe  
Plate:

Satin chrome plate  
Upright Splash guard:  
On two sides (optional)

In order to constantly offer the best possible products we reserve the right to make changes on technical specifications without incurring any obligation for equipment previously or subsequently sold.

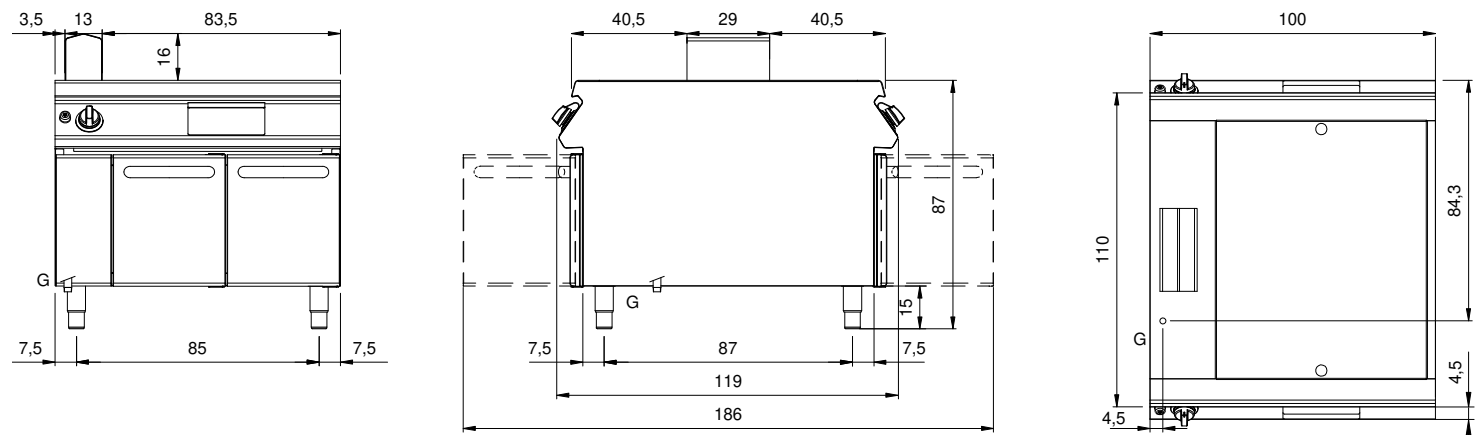
**Modular Professional S.r.l.** Via Palù, 93 - 31020 - San Vendemiano (TV) - Italy - P.I. 04414900268  
**modular@modular.it**

**modular.it** -

 **modular**

Electric griddle, 2/3 smooth 1/3 ribbed satin chrome plate, on open cabinet

## Technical draw



E:  
Electric power

In order to constantly offer the best possible products we reserve the right to make changes on technical specifications without incurring any obligation for equipment previously or subsequently sold.

**Modular Professional S.r.l.** Via Palù, 93 - 31020 - San Vendemiano (TV) - Italy - P.I. 04414900268  
**modular@modular.it**

**modular.it** -