



Client _____ Quantity _____
 Project _____ Position _____

ROC 1100

Model: R110/40PCGB/P

Cod: MP01015115051

Technical data

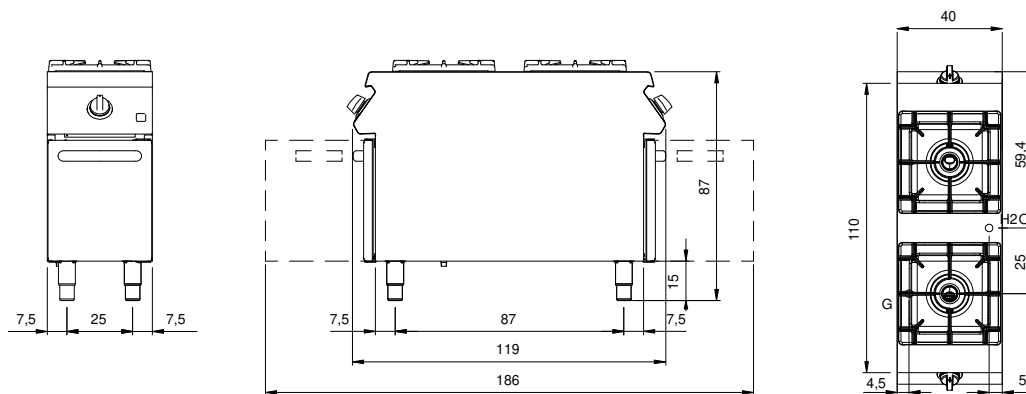
Modularity:	On cabinet with doors
Dimension (mm):	400x1100x870
Total gas power (Kcal/h):	11178
Total gas power (kW):	13
Gas connection:	1/2"
Net volume (m3):	0,383
Packing dimensions (mm):	480x1272x1240
Gross weight (kg):	75
Burner power 1 (kW):	5,5
Burner power 2 (kW):	7,5
Gross volume (m3):	0,757

Features

Burners:	Single and double crown cast iron burners with brass burner cap
Grill:	For single burner in cast iron or stainless steel (optional) dishwasher safe
Working top:	Realizzato in acciaio inox AISI 304 spessore 2 mm con bacinelle in acciaio inox
Knobs:	Made of aluminum with IPX5 water protection
Handles:	The brushed aluminum handles allow for a secure and sturdy grip with a ergonomic lines
Flue:	Made of AISI 304 stainless steel
Kit Gas:	Natural gas conversion kit 30/50 m/bar (tested with natural gas G20)

Gas boiling unit with 2 burners, model on cabinet with door. Side panels, bottom and back made of stainless steel. Top made of AISI 304 thickness 20/10 designed for flush alignment. Gas supply by safety taps with thermocouple and pilot burner for the automatic ignition of main burner. Radiused corners top, easy to clean, equipped with high thick enamelled cast-iron hobs resistant to acid, alkali and flame. Equipped with high-power cast iron/brass rapid burners with containers in stainless steel that can be extracted for easy cleaning. nr.1 burner 7.5 kW and nr.1 burner 5.5 kW. Special design knobs to avoid water penetration in the control panel on both sides. Base completely made of stainless steel. Door with stainless steel tubular handle. Adjustable feet made of stainless steel. IPX4 protection rating. Gas total power 13 kW.

Technical draw



G: Gas connection 1/2"