



Client _____ Quantity _____
 Project _____ Position _____

ROC 1100

Model: R110/60PCEQ/A

Cod: MP01015125001

Technical data

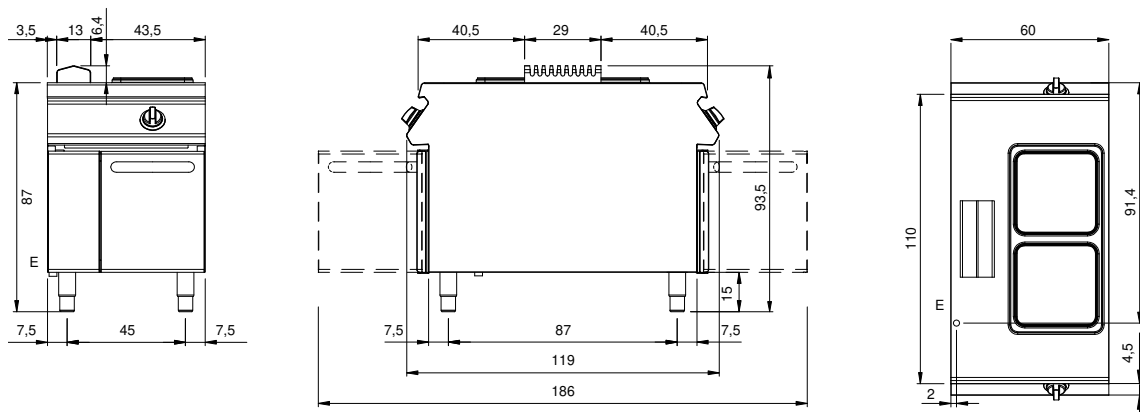
Modularity:	On open cabinet
Dimension (mm):	600x1100x870
Total electric power (kW):	8
Electric power (V):	380-415
Ampere (A):	18,5
Phases:	3N
Cable section (mmq):	5G2,5
Frequency (Hz):	50-60
Net volume (m3):	0,574
Packing dimensions (mm):	880x1272x1274
Gross weight (kg):	110
Gross volume (m3):	1,426

Features

Working top:	Made of AISI 304 stainless steel with a thickness of 2 mm
Knobs:	Made of aluminum with IPX5 water protection
Flue:	Made of AISI 304 stainless steel

Electric hob with 2 square plates, model on open cabinet. Side panels, bottom and back made of stainless steel. Pressed top made of AISI 304 thickness 20/10 with control edge for liquid collection designed for flush alignment. Lateral flue made of stainless steel. Nr. 2 square electric plates 300x300 mm each with 4 kW, equipped with safety thermostat and automatic recovery. 6 levels temperature control for each plate. Lamps on control panel to indicate the activation of electric supply and plates operation. Special design knobs to avoid water penetration in the control panel on both sides. Base completely made of stainless steel. Door with stainless steel tubular handle. Adjustable feet made of stainless steel. IPX4 protection rating. Electric power supply VAC 400 3N 50÷60 Hz - 8 kW.

Technical draw



E: Electric power