



Client _____ Quantity _____
 Project _____ Position _____

FUN 650

Model: F65/110TPFGFB/P

Cod: MP01052112002

Technical data

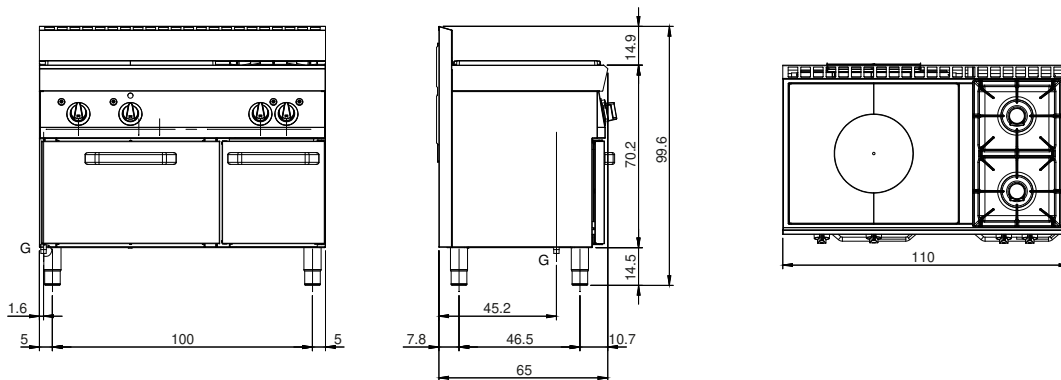
Modularity:	Gas oven
Dimension (mm):	1100x650x850
Oven dimension (mm):	555x540x270
Total gas power (Kcal/h):	19433
Total gas power (kW):	22,6
Whole-plate power gas (kW):	8,2
Oven type:	Static oven
Oven power (kW):	5
Oven temperature range (°C):	150-300
Gas connection:	1/2"
Net volume (m3):	0,608
Packing dimensions (mm):	1176x776x1180
Gross weight (kg):	135
Burner power 1 (kW):	5
Burner power 2 (kW):	3,6
Gross volume (m3):	1,077

Features

Grill:	In cast iron with long spokes
Working top:	Made of AISI 304 stainless steel with a thickness of 10/10 mm
Knobs:	Knobs are made from a sturdy heat-resistant polymer blend and are equipped with liquid anti-leakage washer
Handles:	Brushed aluminum finish
Kit Gas:	Natural gas conversion kit 30/50 m/bar (tested with natural gas G20)

Gas solid top range with 2 burners on gas oven Top in AISI 304 stainless steel thickness 8/10; covering in AISI 430 stainless steel 8/10; bottoms and internal parts in AISI 430 steel; internal reinforcements made of anti-corrosion material. (aluminised sheet metal). Gas full plate dimensions 66x54 cm. High-performance plate equipped with extractable central ring. High-power cast iron burner (1x8.2 kW). Safety gas valve cock with thermocouple. Piezoelectric ignition. Hob equipped with 2 burners (1x3.6 kW + 1x5 kW) - total power 8.6 kW. Bowls in enamelled steel that can be extracted for easy cleaning. Pan support for hobs in acid-resistant enamelled cast iron Safety gas valve cocks with thermocouple. Internal oven dimensions 53x54x28h cm. Oven rack dimensions 53x53cm. Double wall thermally insulated oven door. Thermal insulation of oven chamber. High stability oven burner. Heating takes place by means of a stabilized flame with piezoelectric ignition; the supply of gas takes place by means of a safety thermostatic valve with thermocouple. Temperature adjustment from 150° to 300°C. Piezoelectric ignition of oven burner. Total power 5 kW. Total power 21.8 kW. Neutral cabinet internal dimensions 34x54x39h. cm. Rack support in chromed steel. Rack GN 1/1 32.5x53.

Technical draw



G: Gas connection 1/2"