



Client _____ Quantity _____

Project _____ Position _____

ROC 1100

Model: R110/100TPG/P

Cod: MP01055115002

Technical data

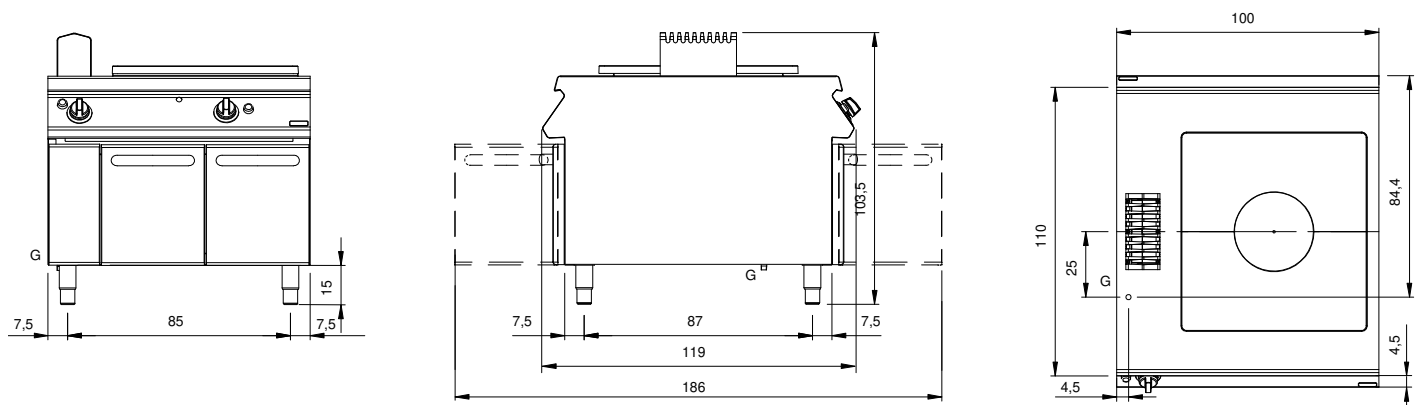
Modularity:	On cabinet with doors
Dimension (mm):	1000x1100x870
Total gas power (Kcal/h):	10319
Total gas power (kW):	12
Whole-plate power gas (kW):	12
Gas connection:	1/2"
Net volume (m3):	0,957
Packing dimensions (mm):	1280x1272x1274
Gross weight (kg):	162
Gross volume (m3):	2,074

Features

Working top:	Made of AISI 304 stainless steel with a thickness of 2 mm
Knobs:	Made of aluminum with IPX5 water protection
Handles:	The brushed aluminum handles allow for a secure and sturdy grip with a ergonomic lines
Flue:	Made of AISI 304 stainless steel
Kit Gas:	Natural gas conversion kit 30/50 m/bar (tested with natural gas G20)

Gas solid top range, model on cabinet with doors. Side panels, bottom and back made of stainless steel. Top made of AISI 304 thickness 20/10 designed for flush alignment. Lateral flue made of stainless steel. Cooking plate made of extra-thick cast iron with extractable central plate. The central zone can reach 500°C while decreasing awards (to 300 °C). Heating by cast iron burner with 12 kW power. Gas supply by means of safety tap with pilot flame and safety thermocouple. Ignition by means of piezoelectric device with waterproof cap. Plate dimensions 760x710. Special design knobs to avoid water penetration in the control panel on both sides. Base completely made of stainless steel. Doors with stainless steel tubular handles. Adjustable feet made of stainless steel. IPX4 protection rating. Gas total power 12 kW.

Technical draw



G: Gas connection 1/2"