



Client _____ Quantity _____
Project _____ Position _____

FUN 700

Model: F70/70FTG/L/A
Market: Extra UE

Cod: MP01372113010

Technical data

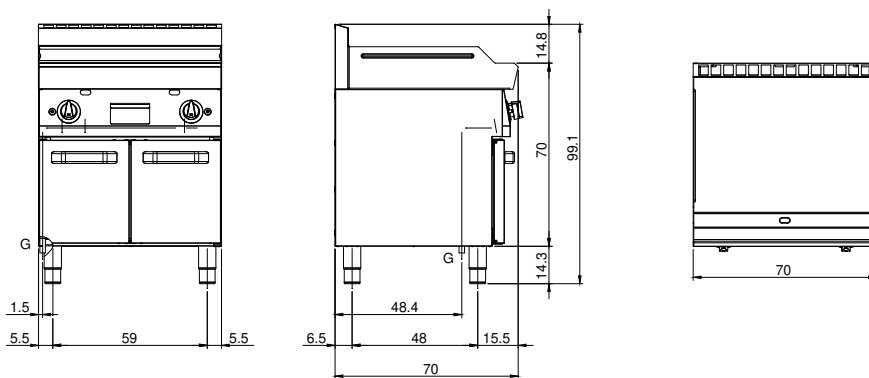
Modularity:	On open cabinet
Dimension (mm):	700x700x850
Total gas power (Kcal/h):	9803
Total gas power (kW):	11,4
Cooking zone dimensions 1 (LxD mm):	696x520
Gas connection:	1/2"
Net volume (m3):	0,417
Packing dimensions (mm):	776x776x1180
Gross weight (kg):	81
Gross volume (m3):	0,711

Features

Working top:	Made of AISI 304 stainless steel with a thickness of 10/10 mm
Material of plate:	Mild steel
Plate finish:	Smooth
Knobs:	Knobs are made from a sturdy heat-resistant polymer blend and are equipped with liquid anti-leakage washer
Plate:	In mild steel
Kit Gas:	Natural gas conversion kit 30/50 m/bar (tested with natural gas G20)

Gas griddle with smooth plate on open cabinet Top made of AISI 304 stainless steel thickness 8/10; covering in AISI 304 stainless steel thickness 8/10; external reinforcements made of anti-corrosion material (aluminised sheet metal); bottoms and internal parts in AISI 430 steel; flue cover in enamelled steel. Equipped with two independent cooking zones. Provided with front groove, extractable drawer for grease collection and splash guard on three sides. Equipped with burners with pilot burners with piezoelectric ignition. Gas supplied by means of safety valve with thermocouple. - 2 burners x 5.7 kW. Total power 11.4 kW Plate dimensions 695x550 mm. Set up on open cabinet.

Technical draw



G: Gas connection 1/2"