



Client _____ Quantity _____

Project _____ Position _____

FUN 700

Model: F70/70FTG/CLR/A

Cod: MP01372113015

Technical data

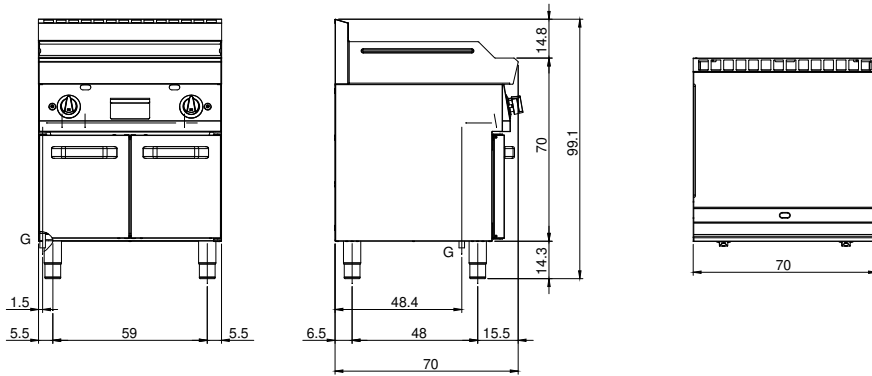
Modularity:	On open cabinet
Dimension (mm):	700x700x850
Total gas power (Kcal/h):	9803
Total gas power (kW):	11,4
Cooking zone dimensions 1 (LxD mm):	696x520
Gas connection:	1/2"
Net volume (m3):	0,417
Packing dimensions (mm):	776x776x1180
Gross weight (kg):	93
Gross volume (m3):	0,711

Features

Working top:	Made of AISI 304 stainless steel with a thickness of 10/10 mm
Material of plate:	Polished chrome
Knobs:	Knobs are made from a sturdy heat-resistant polymer blend and are equipped with liquid anti-leakage washer
Plate:	Polished chromed plate
Kit Gas:	Natural gas conversion kit 30/50 m/bar (tested with natural gas G20)

#N/A

Technical draw



G: Gas connection 1/2"