



Client \_\_\_\_\_ Quantity \_\_\_\_\_  
 Project \_\_\_\_\_ Position \_\_\_\_\_

## FUN 700

Model: F70/70FTE/CLR/A

Cod: MP01372123015

### Technical data

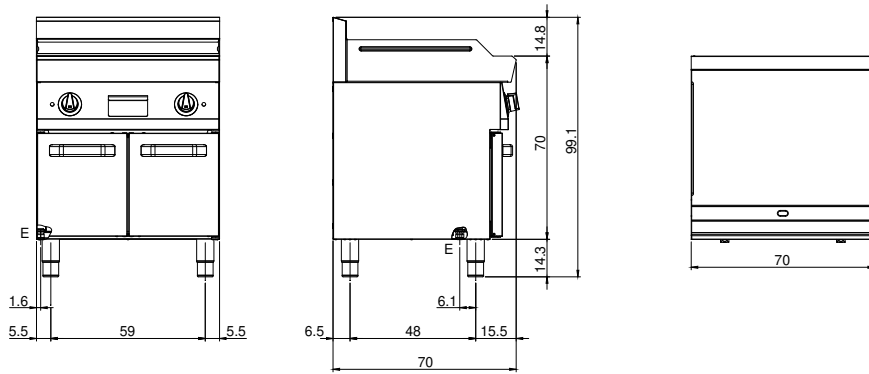
Modularity:	On open cabinet
Dimension (mm):	700x700x850
Total electric power (kW):	9
Cooking zone dimensions 1 (LxD mm):	696x520
Electric power (V):	380-415
Ampere (A):	14
Phases:	3N
Cable section (mmq):	5G2,5
Frequency (Hz):	50-60
Net volume (m3):	0,417
Packing dimensions (mm):	776x776x1180
Gross weight (kg):	103
Gross volume (m3):	0,711

### Features

Working top:	Made of AISI 304 stainless steel with a thickness of 10/10 mm
Material of plate:	Polished chrome
Knobs:	Knobs are made from a sturdy heat-resistant polymer blend and are equipped with liquid anti-leakage washer
Plate:	Polished chromed plate

#N/A

Technical draw



E: Electric power