



Client _____ Quantity _____
Project _____ Position _____

FUN 700

Model: F70/70FTE/L/P
Market: Extra UE

Cod: MP01372123024

Technical data

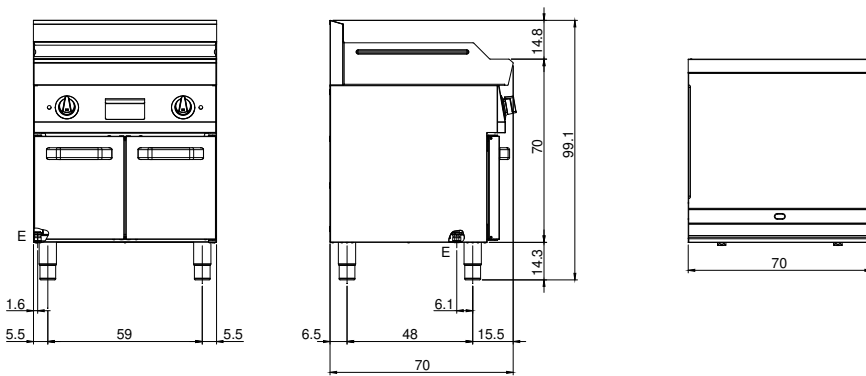
| | |
|-------------------------------------|-----------------------|
| Modularity: | On cabinet with doors |
| Dimension (mm): | 700x700x850 |
| Total electric power (kW): | 9 |
| Cooking zone dimensions 1 (LxD mm): | 696x520 |
| Electric power (V): | 380-415 |
| Ampere (A): | 14 |
| Phases: | 3N |
| Cable section (mmq): | 5G2,5 |
| Frequency (Hz): | 50-60 |
| Net volume (m3): | 0,417 |
| Packing dimensions (mm): | 776x776x1180 |
| Gross weight (kg): | 86 |
| Gross volume (m3): | 0,711 |

Features

| | |
|--------------------|--|
| Working top: | Made of AISI 304 stainless steel with a thickness of 10/10 mm |
| Material of plate: | Mild steel |
| Plate finish: | Smooth |
| Knobs: | Knobs are made from a sturdy heat-resistant polymer blend and are equipped with liquid anti-leakage washer |
| Handles: | Brushed aluminum finish |
| Plate: | In mild steel |

Electric griddle with smooth plate on cabinet with door. Top made of AISI 304 stainless steel thickness 8/10; covering in AISI 304 stainless steel thickness 8/10; external reinforcements made of anti-corrosion material (aluminised sheet metal); bottoms and internal parts in AISI 430 steel; flue cover in enamelled steel. Equipped with two independent cooking zones. Provided with front groove, extractable drawer for grease collection and splash guard on three sides. Cooking zone equipped with 3 heating elements which are thermostat controlled in a range of use from 50° to 300° C. Safety thermostat and indicator lights to show correct operation. - 6 plates x 1.5 kW Total power 9 kW. Cooking plate dimensions 695x550 mm. Electrical power supply VAC 400 + 3N 50÷60 Hz.

Technical draw



E: Electric power