



Client _____ Quantity _____
Project _____ Position _____

ROC 1100

Model: R110/100FTG/L/A
Market: Extra UE

Cod: MP01375115001

Technical data

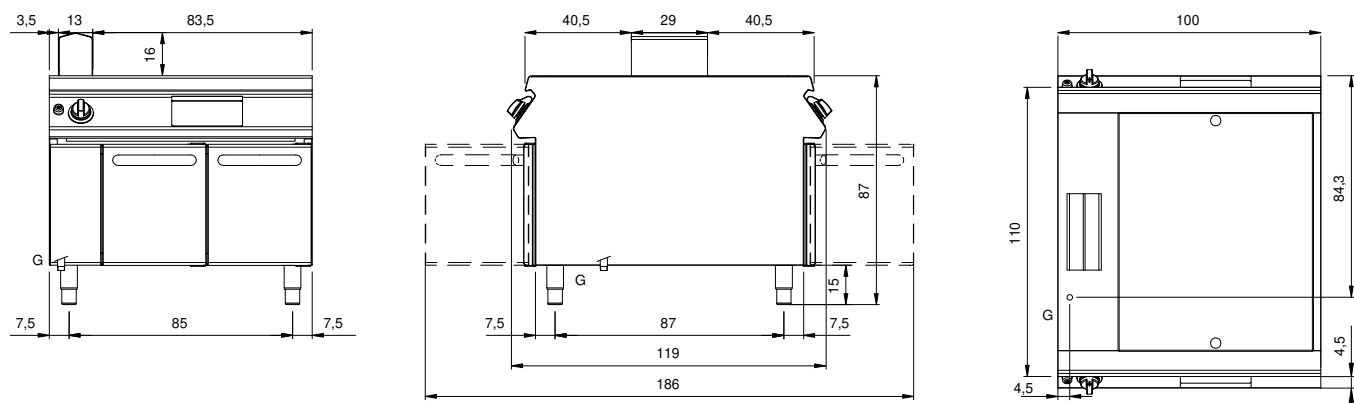
Modularity:	On open cabinet
Dimension (mm):	1000x1100x870
Total gas power (Kcal/h):	12038
Total gas power (kW):	14
Cooking zone dimensions 1 (LxD mm):	734x900
Gas connection:	1/2"
Net volume (m3):	0,957
Packing dimensions (mm):	1280x1272x1274
Gross weight (kg):	212
Gross volume (m3):	2,074

Features

Working top:	Made of AISI 304 stainless steel with a thickness of 2 mm
Material of plate:	Mild steel
Plate finish:	Smooth
Knobs:	Made of aluminum with IPX5 water protection
Flue:	Made of AISI 304 stainless steel
Liquid collection container:	Estraibile e lavabile in lavastoviglie
Plate:	In mild steel
Upright Splash guard:	On two sides (optional)
Kit Gas:	Natural gas conversion kit 30/50 m/bar (tested with natural gas G20)

Gas griddle with smooth plate, model on open cabinet. Side panels, bottom and back made of stainless steel. Top made of AISI 304 thickness 20/10. Lateral flue made of stainless steel. Designed for flush alignment. Recessed (4 cm) hotplate fully welded and sealed to the top. Satin cold zone at the front of the hotplate. Round hole and extractable drawer for grease drain and collection. Two independent cooking zones. Heating by means of steel burner with stabilized flame complete with pilot flame and safety thermocouple. Cooking temperature manually controlled by gas supply safety tap. Automatic ignition by means of piezoelectric device with waterproof cap. Special design knobs to avoid water penetration in the control panel on both sides. Base completely made of stainless steel. Adjustable feet made of stainless steel. IPX4 protection rating. Gas total power 14 kW.

Technical draw



G: Gas connection 1/2"